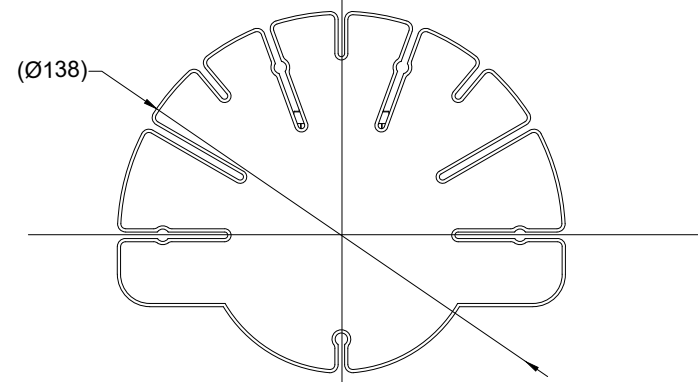
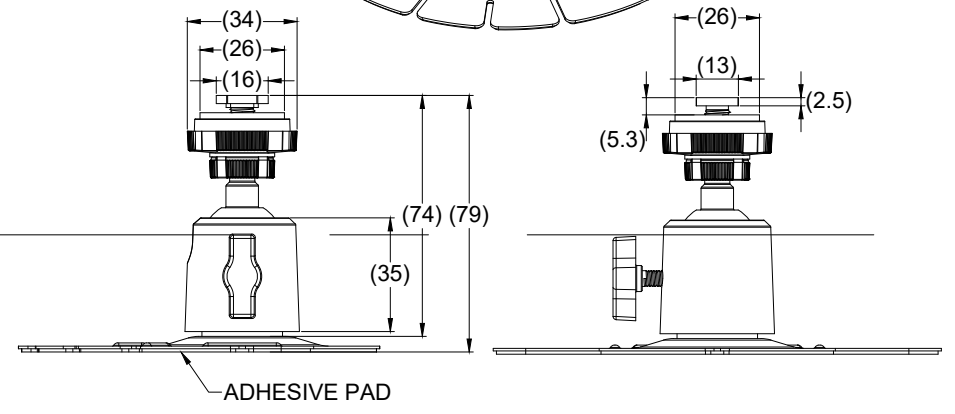
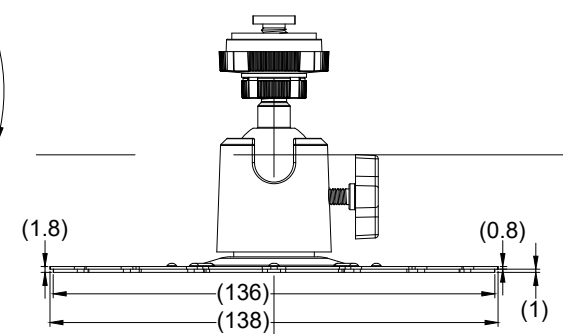
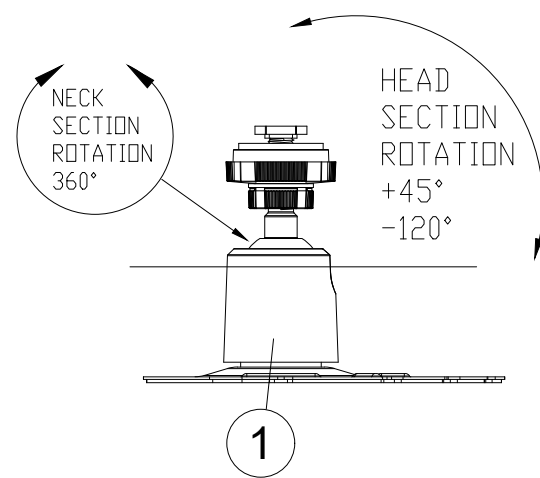
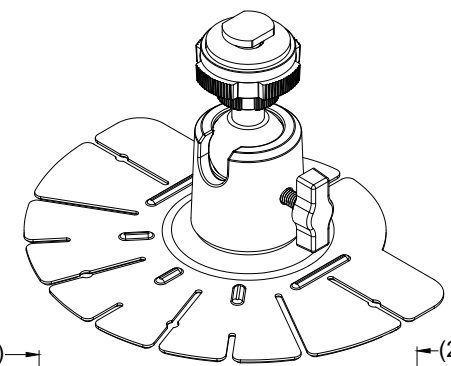
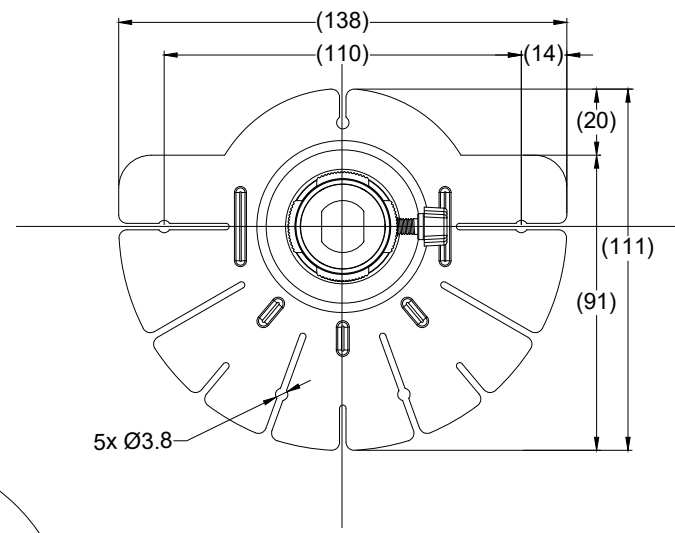


Revision Notes				
R3 - MODEL NUMBER CHANGED TO GENERIC LABELING FOR ALL BRACKETS. (FROM BE-85_7X BRACKET)				
APA: T.CHOI	Drawn:M.BUTLER	Checked:R.BATES	Approved:B.JOHN	Date: 07/11/13
R4 - SPARE PART LABEL DETAILS ADDED TO NOTES AS PER ESA37.				
APA: T.CHOI	Drawn:R.BATES	Checked:B.CHILDS	Approved:D.WALLIN	Date: 22/09/15
R5 - MINOR TOOLING AND DIMENSIONAL CHANGES AS PER CR-A1069				
APA: T.CHOI	Drawn:B.STROHMER	Checked:E.MATHEW	Approved:R.PENTLEY	Date: 15/07/24



ITEM	QTY	DESCRIPTION
1	1	MONITOR BRACKET
2	5	TP1 3x10 SCREWS (NOT SHOWN)

- NOTES:**
1. BASE MATERIAL: STEEL EGI 0.8t
 2. PAINT FINISH: AB SANDTON #10 BLACK (SP)
 3. WHEN SUPPLIED AS A SPARE PART, TO BE SUPPLIED IN A SUITABLE PLASTIC BAG WITH A GIFTBOX LABEL.
 4. FOR SPARE PART GIFTBOX LABEL REFER TO LATEST REVISION OF DRAWING BE-001049-XX-10.
 5. ADHESIVE PAD: 3M VHB

PROPRIETARY NOTICE
 THIS DESIGN AND TECHNICAL INFORMATION APPEARING ON THIS DRAWING IS THE PROPERTY OF BRIGADE ELECTRONICS, AND IS DISCLOSED IN CONFIDENCE. IT IS NOT TO BE COPIED, REPRODUCED, REVEALED TO OR EXPROPRIATED BY OTHERS, EITHER IN WHOLE OR IN PART WITHOUT THE EXPRESS WRITTEN CONSENT OF BRIGADE ELECTRONICS.

BRIGADE
 www.brigade-electronics.com

Assembly Pl Approval T.CHOI - 07/11/13	Approved by S.MATTHEWS	Checked by D.KERAI	Drawn by M.BUTLER
Angle of Projection 	Units mm	Scale N/A	Released 18/09/09
Status RELEASED	Part No 3145	Assembly Ref BMM-022	
		BE-000826-05-09	